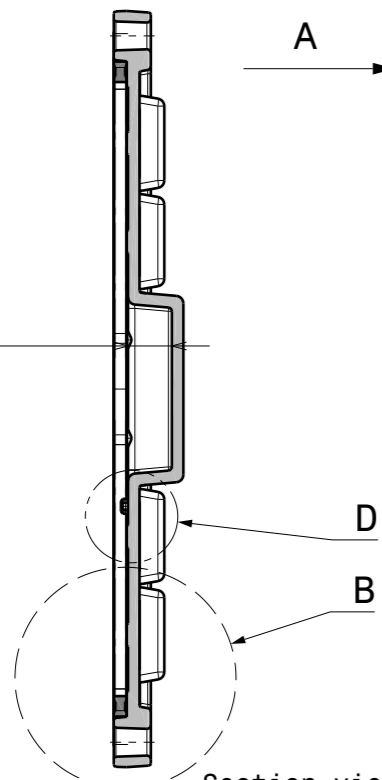


Detail C
Scale: 2:1

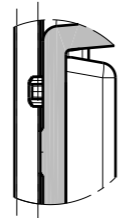
Beam direction

Typical space for component
5.8

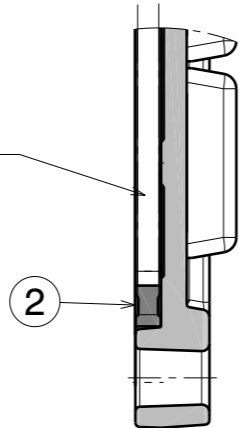


Section view A-A
Scale: 1:1

Detail D
Scale: 2:1



PCB space inside seal 81x 81mm



Detail B
Scale: 2:1

INDEX	PART NO	DESCRIPTION	MATERIAL	COLOUR
1	C15899	STRADELLA-28-T2	PC	clear
2	C15900	STRADELLA-28-SEAL	Silicone	

Tolerances if not otherwise shown
According to DIN ISO 2768-1
Linear measures:
Up to 30mm class M, otherwise class C.
According to DIN ISO 2768-2
Form and position: class L

LEDiL LediL Oy
Salorankatu 10
FIN 24240 SALO
Finland

THIRD ANGLE PROJECTION:

DRAWING TITLE
CS15911_STRADELLA-28-T2

This drawing is the property of LEDiL Oy. It may not be reproduced, copied or communicated without a written agreement with LEDiL Oy.

SIZE **A3** PART NUMBER **Datasheet**

SCALE 1:1 WEIGHT SHEET 1/1